



02/07/2014

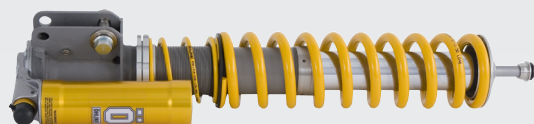
RALLY



Subaru Impreza N16/N18 Grp N

Öhlins Rally application for Subaru Impreza N16/N18 Grp N.
Both front and rear are fully pressure balanced, eliminating the risk of cavitation and due to low gas pressure, they keep the internal friction low.

The proven Group N technology has now been updated with new settings based on WRC experience and a WRC developed Dynamic Compression and Dynamic Rebound Control, DCC/DRC, for the front TPX dampers. The Progressive Damping System (PDS) has been updated to increase the performance in jumps and also maintaining temperature stability (front gravel). To improve overall traction, performance in jumping and the stability when cutting corners a WRC developed Stroke Dependent Rebound has been added as well. The Twin Piston McPherson strut also has a reinforced outer tube in high strength steel with calibrated bushing seats. The rear TTX damper has an extruded cylinder tube that creates less damper hysteresis which means improved wheel control and traction on the rear axle.



FEATURES

Front TPX

- > Updated setting based on WRC experience and proved winning performance
- > WRC developed DCC/DRC (Dynamic Compression/Rebound Control) for improved traction
- > Updated PDS (Progressive Damping System) for increased jumping performance and temperature stability, gravel only
- > WRC developed SDR (Stroke Dependent Rebound) for improved traction, jumping performance and improved stability when cutting corners
- > Reinforced outer tube in high strength steel with calibrated bushing seats

Rear TTX

- > Extruded cylinder tube body with less damper hysteresis for improved wheel control and traction on rear axle

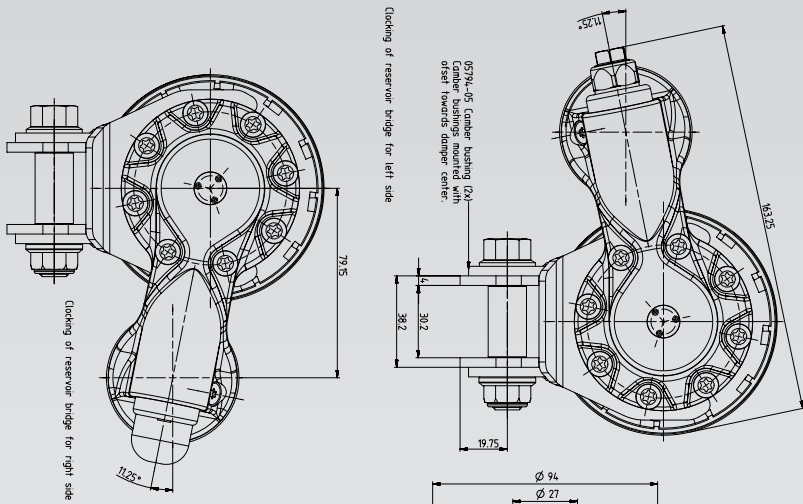
GRAVEL - PART NO

Grp N - Front SUR 5P00
Grp N - Rear SUR 6P00

TARMAC - PART NO

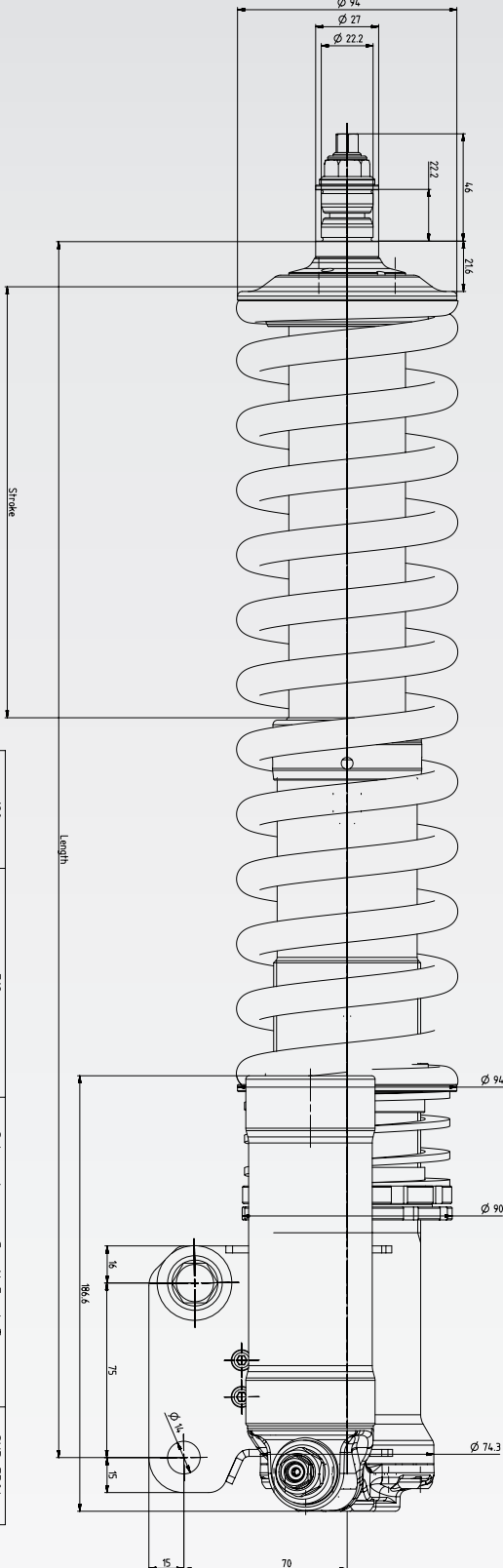
Grp N - Front SUR 5P04
Grp N - Rear SUR 6P04



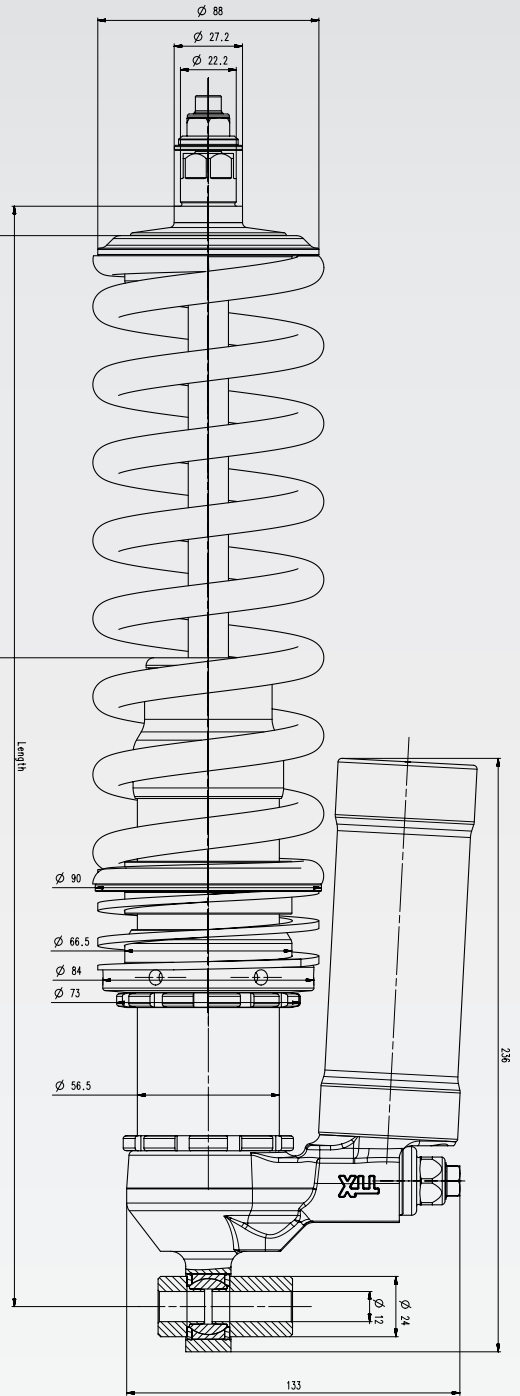
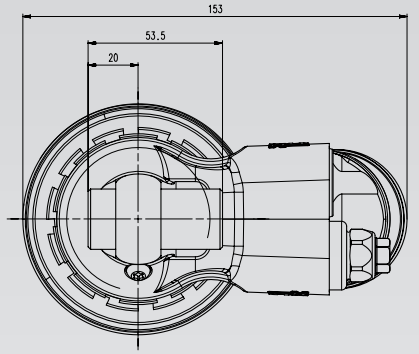


Clacking of reservoir bridge for left side

Clacking of reservoir bridge for right side



180	518	Subaru Impreza Grp N Front Tarmac	SUR 5P04
206	543	Subaru Impreza Grp N Front Gravel	SUR 5P00
Stroke	Length (fully extended)	Description	Part number



150	419	Subaru Impreza Grp N Rear Tarmac	SUR 6P04
186	469	Subaru Impreza Grp N Rear Gravel	SUR 6P00
Stroke	Length (fully extended)	Description	Part number

