

SHOCK ABSORBER KIT FOR

TOYOTA HILUX AN120/AN130

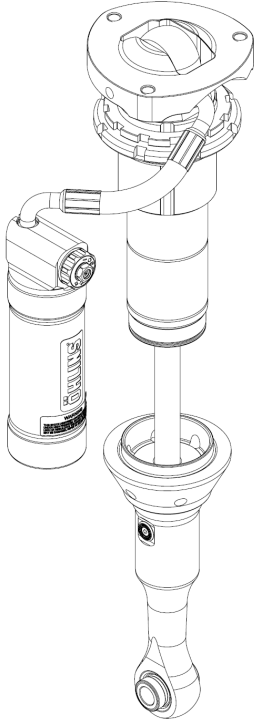
Front Shock Absorber Kit.....Page 1-10

Rear Shock Absorber Kit.....Page 11-14

Mounting Instructions



This page intentionally left blank



Note!

Please note that this image is a general representation of the product and may differ slightly from your product.

Note!

Please note that during storage and transportation, especially at high ambient temperature, some of the oil and grease used for assembling may leak and stain the packaging. This is in no way detrimental to the product, wipe off the excessive oil/grease with a cloth.

Note!

Before installing this product, check the contents of the kit. If anything is missing, please check an Öhlins dealer.

Kit Contents

Description	Part No	Pcs
1.1 Shock absorber LH	TOV 1W00	1
1.2 Shock absorber RH	TOV 2W00	1
2 Washer	00543-12	2
3 Spring	62462-XX	2
4 Spring clip	62429-01	2
5 Lock ring	62427-01	4
6 Bracket	62437-01	2
7 Bracket, Reservoir (R)	60006-33	1
8 Bracket, Reservoir (L)	60006-34	1
9 Spacer	61125-02	2
10 Screw M10x25x1.25	00429-33	4
11 Screw M10x25x1.5	00429-34	6
12 Washer	00426-08	10
13 Spacer	60049-03	2
14 Reservoir bracket	05378-20	4
15 Screw M5x22	01046-26	4
16 Bracket	61125-04	2
17 Screw M5x16	01046-18	10
18 Lock nut M5	00430-04	14
19 Washer	00153-03	2
20 Tie-rap	60231-03	2
21 C-Spanner	60710-03	1
22 R&T C-Spanner	01796-01	1
23 Sticker set "ÖHLINS"	10207-01	1
24 Owners manual	07440-06	1

Warning!

Before installing this product, read the Öhlins Owner's Manual. The shock absorber is an important part of your vehicle and will affect the stability.

Shock Absorber Kit for Toyota Hilux AN120 / AN130 Front

TOV 1W00
TOV 2W00

Mounting Instructions



MOUNTING INSTRUCTIONS

⚠ Warning!

It is advisable to have an Öhlins dealer install the shock absorber.

⚠ Warning!

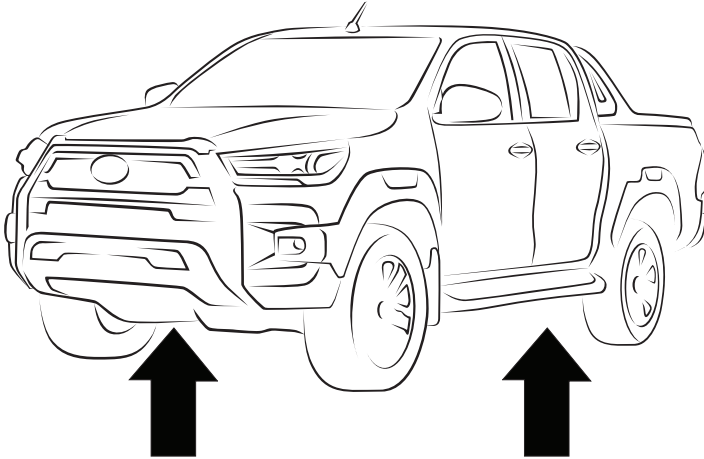
If working on a raised vehicle, ensure it is securely supported so that it will not tip over.

👁 Note!

Before mounting this product clean the vehicle thoroughly.

👁 Note!

When working on this product, always see the Vehicle Service Manual for vehicle specific procedures and important data.



1

Lift the vehicle by using a proper car lift.

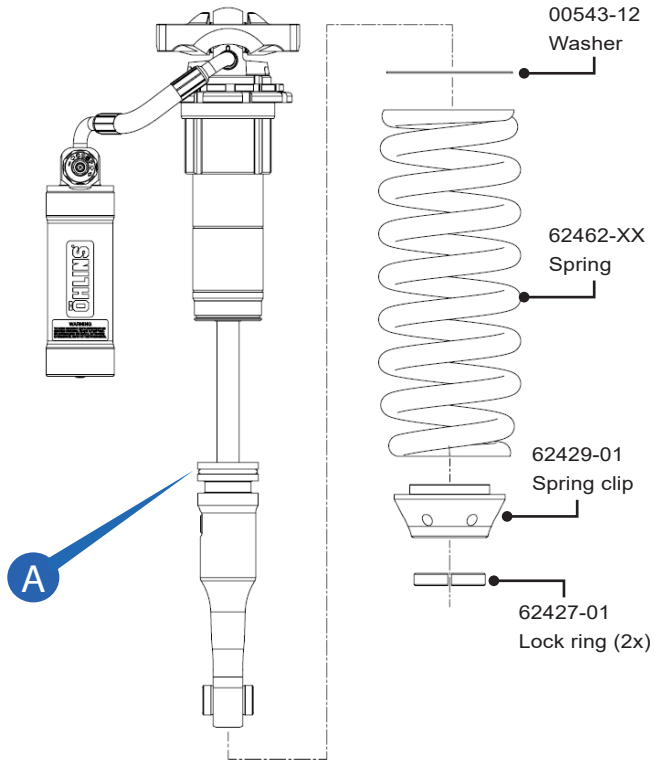
👁 Note!

Refer to the vehicle service manual for the recommended lift points.

2

Remove the front wheels.

MOUNTING INSTRUCTIONS



3 Spring Installation

3.1 Pre-compress the spring by using a spring compressor.

3.2 Install the washer (2) underneath the pre-load adjuster nuts.

3.2 Install the spring (3) onto the damper body.

3.3 Apply penetrating oil (WD-40 or similar) to the O-ring **A** then install the spring clip (4) thru the end-eye and lock it in place by using the 2 lock rings (5).

3.4 Release the spring from the spring compressor making sure the spring clip and the lock rings are seated properly.

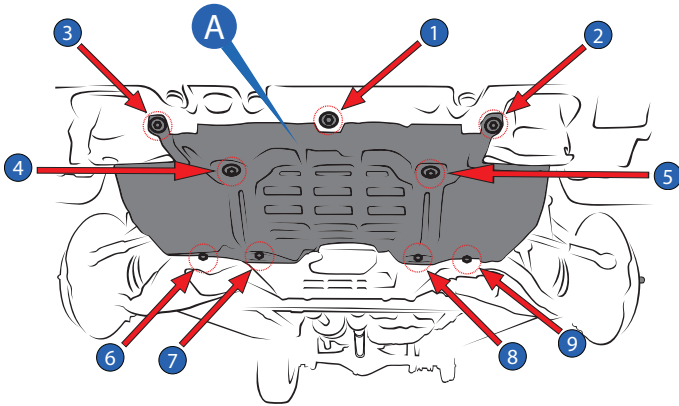
👁 **Note!**

When installing the springs, reservoir hose and rebound adjuster must be pointed toward the front of vehicle.

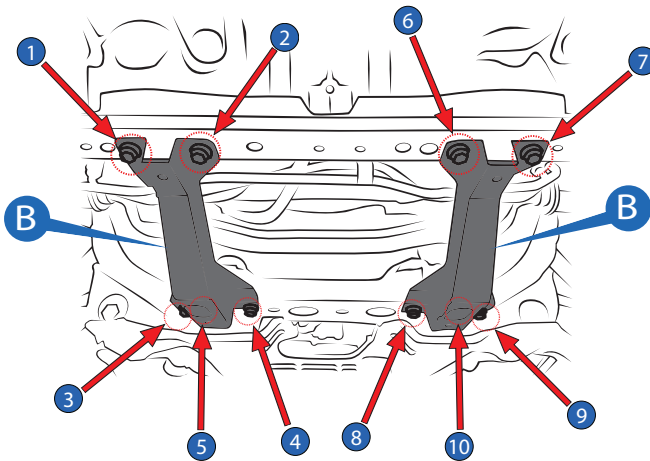
👁 **Note!**

For spring recommendation and preload see page 9.

MOUNTING INSTRUCTIONS

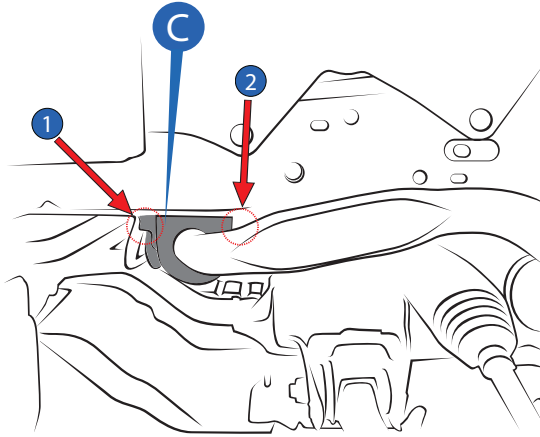


4
Remove the skid plate **A** by removing the plastic clip **1** then loosening the screws **2** to **9**.

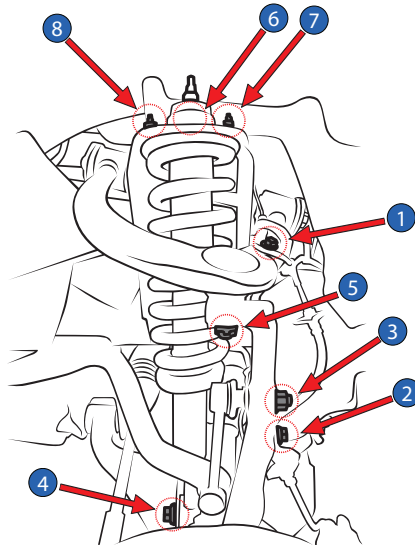


5
Remove the OEM under braces **B** by loosening the screws **1** to **10**, then replace it with the Öhlins under braces (6). Tighten the screws at a torque value as specified in the vehicle service manual.

MOUNTING INSTRUCTIONS

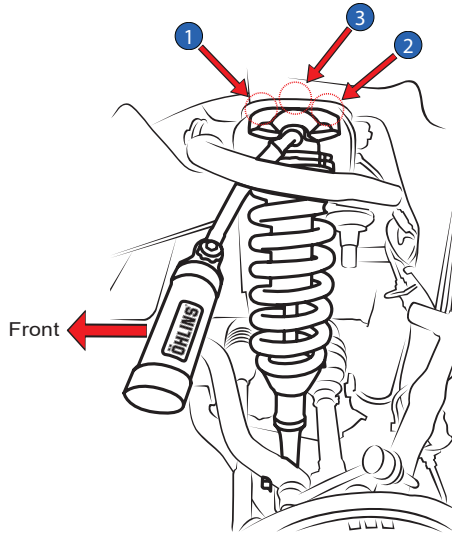


6
Remove the OEM Anti-rollbar clamp bracket © by loosening the screws ① and ②.



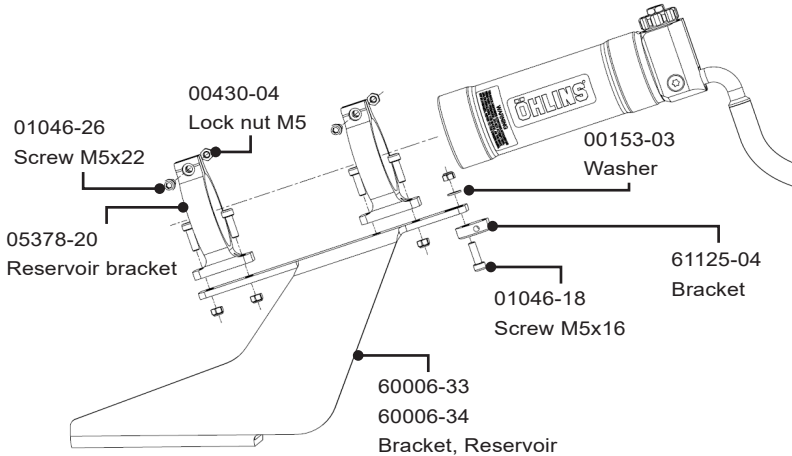
7
Loosen the screws and nuts holding the wiring cable bracket ①, brake line bracket ②, anti-rollbar linkage ③, lower OEM shock absorber mounting ④, upper wishbone balljoint ⑤, upper OEM shock absorber mounting ⑥ ⑦ ⑧ then remove the OEM front shock absorber.

MOUNTING INSTRUCTIONS



8

Install the Öhlins shock absorber with the reservoir hose pointing towards the front of vehicle. Tighten top mounting ① ② and ③ with new screws (11) and washers (12) with torque value at 44 Nm. Reverse all the procedures as necessary. Torque value as specified in the vehicle service manual.



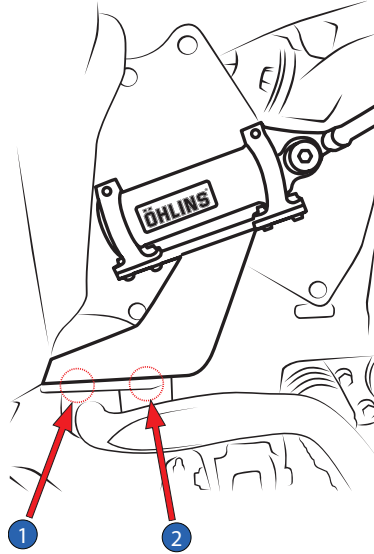
9 Reservoir Installation

9.1 Install the reservoir bracket (14) to the bracket (7) and (8) by tightening screws (17) and lock nuts (18) with torque value at 10 Nm.

9.2 Install the bracket (16) by tightening screws (17) washer (19) and lock nut (18) with torque value at 10 Nm.

9.3 Install the reservoir to the reservoir bracket by facing the adjuster knob upward. Clamp the reservoir by tightening screws (15) and lock nuts (18). Then fasten tie-rap (20) between bracket (16) and hose

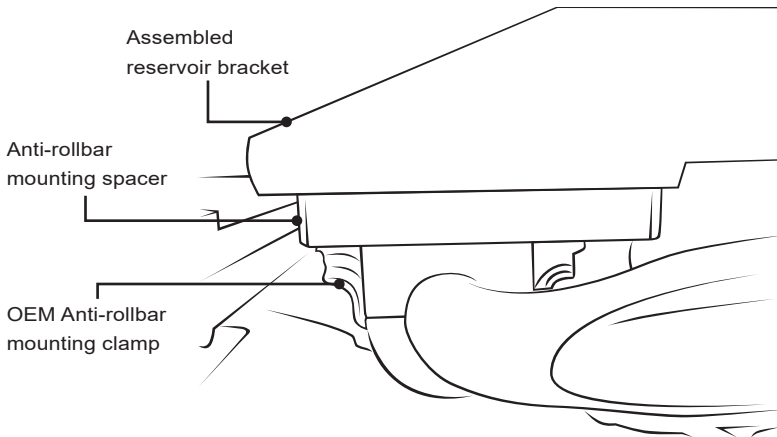
MOUNTING INSTRUCTIONS



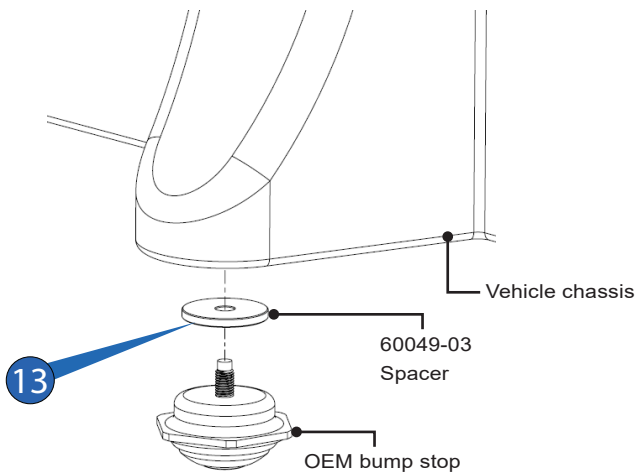
10

10.1 Install the assembled reservoir bracket together with the Anti-rollbar mounting spacer (9) by tightening the OEM screws ① and ② to the chassis. Torque value as specified in the vehicle service manual.

10.2 Tighten the OEM Anti-rollbar mounting clamp to the spacer (9) with new screws (10) and washers (12) with a torque value at 40 Nm.



MOUNTING INSTRUCTIONS



11

Install the bump stop spacer (13) between the OEM bump stop and chassis. Torque at value as specified in the vehicle service manual.

ADJUSTMENTS

⚠ Warning!

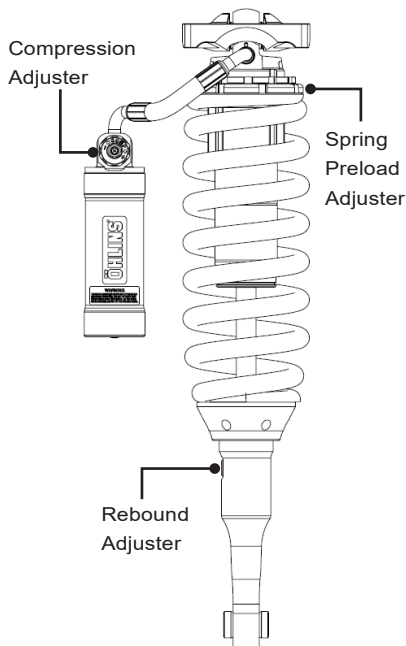
Before driving, always make sure that the basic settings made by Öhlins are according to recommended Set-up Data. Read about adjustments and setting up in the Öhlins Owner's Manual before you make any adjustments. Contact an Öhlins dealer if you have any questions about setting up.

👁 Note!

Apply penetrating oil (WD-40 or similar) to preload adjuster when preload adjustment needed.

👁 Note!

Recheck the vehicle wheel alignment after installed.



SET-UP DATA

Recommended set-up

Paved roads/highway:	
Compression Adjuster	10 Clicks
Rebound Adjuster	15 Clicks
Gravel roads/offroad:	
Compression Adjuster	18 Clicks
Rebound Adjuster	25 Clicks

Shock absorber data

Length	550.5 mm
Stroke	117 mm

Spring options

Part No.	62462-07	62462-08	62462-09
Free spring length	335 mm	335 mm	335 mm
Spring rate	120 N/mm	130 N/mm	140 N/mm
Preload adj.range	[45-62] mm	[45-60] mm	[45-55] mm
Recommended preload	58 mm	52 mm	50 mm
Vehicle equipment	Standard	Light bull bar Up to 50 kg.	Heavy bull bar + Winch Up to 100 kg.

👁 Öhlins products are subject to continuous improvement and development, therefore, although these instructions include the most up-to-date information available at the time of printing, minor updates may occur.

To find the latest information contact an Öhlins distributor. Please contact Öhlins if you have any questions regarding the contents in this document.

Part no. MI_Toyota Hilux_EN_0
Issued 2021-07-02

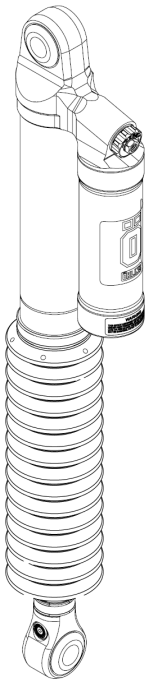
© Öhlins Asia Co. Ltd. All rights reserved. Any reprinting or unauthorized use without the written permission of Öhlins Racing AB is prohibited.

Öhlins Asia Co. Ltd
700/937 Moo5, Tambol Nongkhaga,
Amphur Phantong, Chonburi Province
20160 Thailand



www.ohlins.com

This page intentionally left blank



Note!

Please note that this image is a general representation of the product and may differ slightly from your product.

Note!

Please note that during storage and transportation, especially at high ambient temperature, some of the oil and grease used for assembling may leak and stain the packaging. This is in no way detrimental to the product, wipe off the excessive oil/grease with a cloth.

Note!

Before installing this product, check the contents of the kit. If anything is missing, please check an Öhlins dealer.

Kit Contents

Description	Part No	Pcs
1 Shock absorber	TOV 6W00	2
2 Washer	62422-02	4
3 Washer	62436-03	4
4 Screw M12x25	62439-01	4
5 Lift block	62417-25	2
6 Pin	62418-01	2
7 Tie-rap	60231-03	2

Warning!

Before installing this product, read the Öhlins Owner's Manual. The shock absorber is an important part of your vehicle and will affect the stability.

Shock Absorber Kit for Toyota Hilux AN120 / AN130 Rear

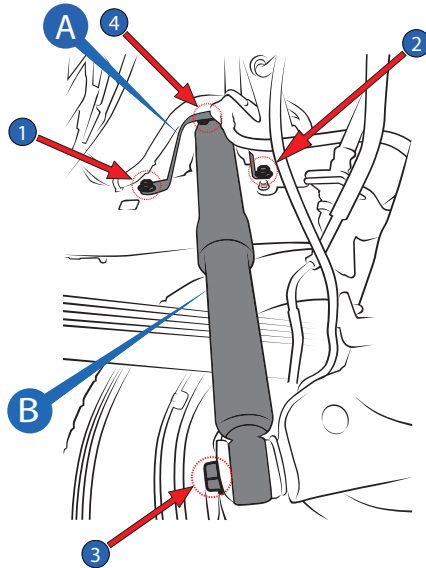
TOV 6W00

Mounting Instructions

MOUNTING INSTRUCTIONS

⚠ Caution!

Before removing the rear shock absorber, please use lift jack to hold the drive shaft in a good position.

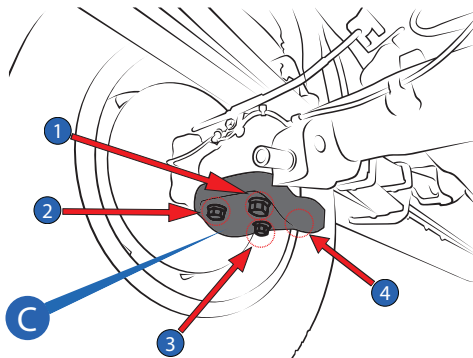


1 Rear shock absorber removal

1.1 Remove the wiring bracket **A** by loosening screws **1** and **2** then remove the wiring clips out of the wiring bracket

1.2 Fasten wiring cable with tie-rop (7) to the chassis to the position that far away from shock absorber

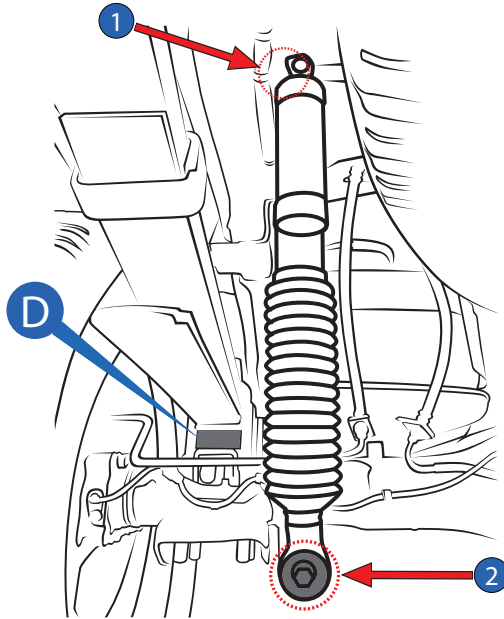
1.3 Remove OEM rear shock absorber **B** by loosening screws **3** and **4**.



2

Remove U-bolt spring seats **C** by loosening 4 nuts **1** **2** **3** **4** then remove U-bolts.

MOUNTING INSTRUCTIONS



👁 Note!

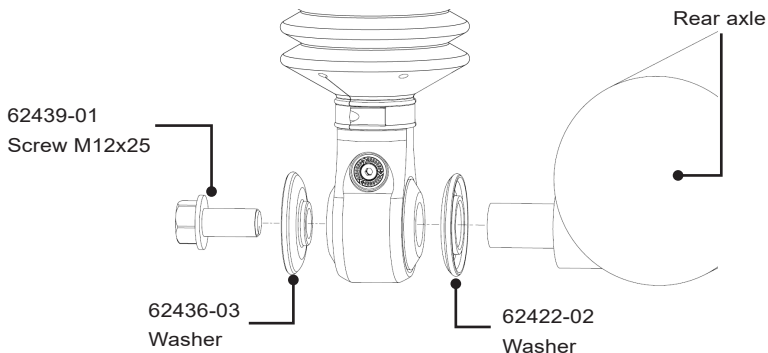
U-bolts are not supplied in the kit. Please ask Öhlins dealers for recommendation.

3

3.1 Install the lift blocks **D** in between leaf spring and rear axle.

3.2 Replace the new 25 mm longer U-bolts then tighten 4 nuts with torque value as specified in the vehicle service manual.

3.3 Install the rear shock absorbers sequentially according to the picture below. Starting from washer (2), shock absorber (1), washer (3) and screw (4). Tighten screws **1** and **2** with torque value is 70 Nm.



ADJUSTMENTS

⚠ Warning!

Before riding, always make sure that the basic settings made by Öhlins are according to recommended Set-up Data. Read about adjustments and setting up in the Öhlins Owner's Manual before you make any adjustments. Contact an Öhlins dealer if you have any questions about setting up.

👁 Note!

Recheck the vehicle wheel alignment after installed.

SET-UP DATA

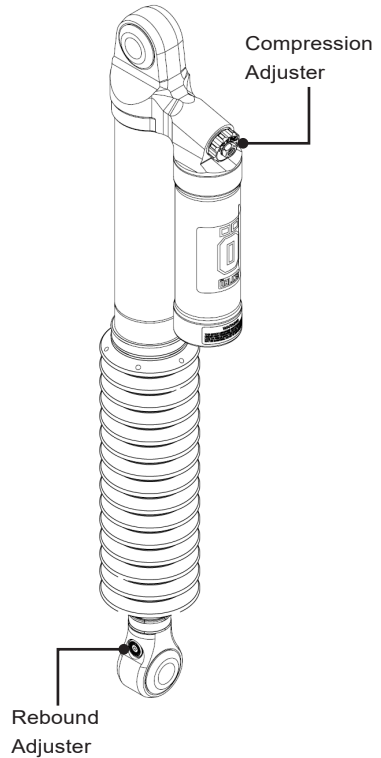
Recommended set-up

Paved roads/highway:	
Compression Adjuster	15 Clicks
Rebound Adjuster	20 Clicks

Gravel roads/offroad:	
Compression Adjuster	20 Clicks
Rebound Adjuster	25 Clicks

Shock absorber data

Length	620.5 mm
Stroke	227.5 mm



👁 Öhlins products are subject to continuous improvement and development, therefore, although these instructions include the most up-to-date information available at the time of printing, minor updates may occur.

To find the latest information contact an Öhlins distributor. Please contact Öhlins if you have any questions regarding the contents in this document.

Part no. MI_Toyota Hilux_EN_0
Issued 2021-07-02

© Öhlins Asia Co. Ltd. All rights reserved. Any reprinting or unauthorized use without the written permission of Öhlins Racing AB is prohibited.

Öhlins Asia Co. Ltd
700/937 Moo5, Tambol Nongkhaga,
Amphur Phantong, Chonburi Province
20160 Thailand



www.ohlins.com