

👁 Note!

Please note that there can be small differences between your product and the images in these instructions.

👁 Note!

Please note that during storage and transport, especially at high ambient temperature, some of the oil and grease used for assembly may leak and stain the packaging. This will not cause damage to the product, wipe off the excessive oil or grease with a cloth.

Kit Contents

Description	Part No	Pcs
Shock abs. left/right front	POF 5Q10	1
Sticker	00192-01	1
Sticker	00197-02	1
Spring support	05193-05	1
Lock nut	05359-01	1
Spacer	05688-02	2
Spring seat, upper	06211-01	1
Owner's manual	07446-01	1

👁 Note!

Before you install this product, check the kit contents. If anything is missing, please contact an Öhlins dealer.

⚠ Warning!

Before you install this product, read the Öhlins Owner's manual. This product is an important part of the vehicle and the vehicle stability.

Shock Absorber for Porsche 997 GT3 Cup - front

POF 5Q10

Mounting Instructions



MOUNTING INSTRUCTIONS

⚠ Warning!

We strongly recommend to let an Öhlins dealer install this product.

⚠ Warning!

If you work with a lifted vehicle, make sure that it is safely supported to prevent it from tipping over.

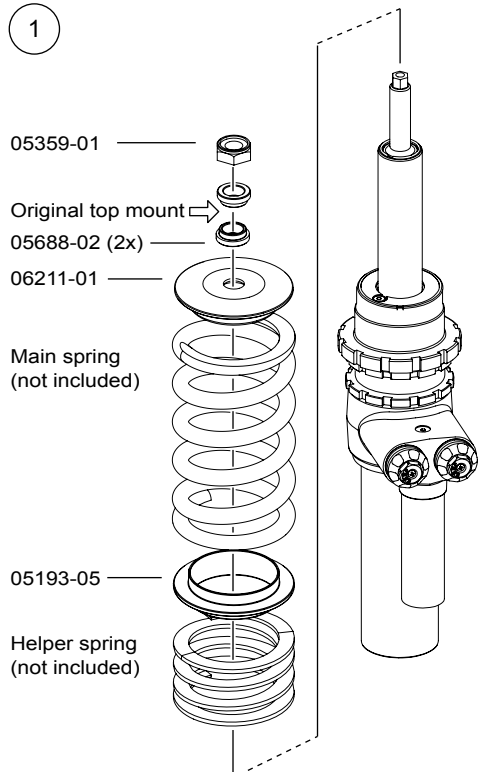
👁 Note!

When you work with this product, see the vehicle service manual for vehicle specific procedures and important data.

👁 Note!

Before you install this product clean the vehicle.

- 1
Remove the wheel.
- 2
Remove the anti-roll bar link at the lower joint.
- 3
Remove the brake hose attachment.
- 4
Remove the harness for the wheel speed sensor.
- 5
Remove the brake caliper and support it so that the brake hose can not be damaged, for instance by hanging it on a piece of bent welding rod.
- 6
Remove the upper attachment nut of the original shock absorber.
- 7
Loosen the lower attachment bolts to the original shock absorber.
- 8
Push the shock absorber and A-arm down to enable the shock absorber to be angled outward without it hitting the fender.
- 9
Remove the shock absorber by pulling it out of the upright bracket.
- 10
Install the springs and provided parts on the shock absorber according to figure 1.
- 11
Install the Öhlins shock absorber in the upright bracket with the reservoir bracket pointing towards the rear.
- 12
Angle the shock absorber in under the fenders.
- 13
Tighten the upper attachment nut.



MOUNTING INSTRUCTIONS

14

Reattach the anti-roll bar link.

15

Reattach the brake hose.

16

Reattach the wheel speed sensor harness.

17

Reattach the brake caliper.

18

Reinstall the wheel.

19

After installing all shock absorbers (front and rear), check the vehicle ride height. If necessary, adjust (See section Spring Preload in the Öhlins Owner's Manual. Consult the vehicle service manual for recommended ride height.

Caution!

Make sure that all bolts are tightened to the correct torque and that there are no binds and that nothing restricts movement of the shock absorber when the suspension is being fully compressed or extended.

ADJUSTMENTS

⚠ Warning!

Before you ride/drive, always make sure that the setup is according to the recommended setup data. Read about adjustments and setting up in the Öhlins Owner's Manual before you make any adjustments. Contact an Öhlins dealer if you have any questions about setting up.

SETUP DATA

Compression damping	11	clicks
Rebound damping	19	clicks

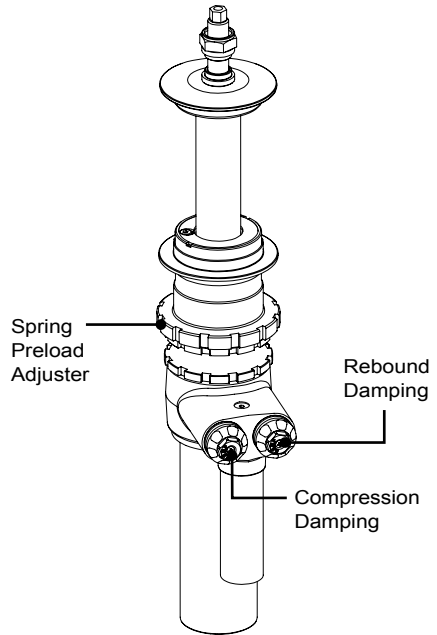
Recommended Springs (Eibach)

Main Spring

Spring rate	220	N/mm
Length	120	mm
ID	60	mm

Helper Spring

ID	60	mm
----	----	----



Öhlins products are subject to continuous improvement and development, therefore, although these instructions include the most up-to-date information available at the time of printing, minor updates may occur.

To find the latest information contact an Öhlins distributor. Please contact Öhlins if you have any questions regarding the contents in this document.

Part no. MI_POF 5Q10
Issued 2016-04-13

© Öhlins Racing AB. All rights reserved. Any reprinting or unauthorized use without the written permission of Öhlins Racing AB is prohibited.

Öhlins Racing AB
Box 722
S-194 27 Upplands Väsby, Sweden
Phone +46 8 590 025 00
fax +46 8 590 025 80



www.ohlins.com