

**👁 Note!**

Please note that there can be small differences between your product and the images in these instructions.

**👁 Note!**

Please note that during storage and transport, especially at high ambient temperature, some of the oil and grease used for assembly may leak and stain the packaging. This will not cause damage to the product, wipe off the excessive oil or grease with a cloth.

**Kit Contents**

Description	Part No	Pcs
Sticker ÖHLINS wh/tr	01185-01	2
Sticker ÖHLINS bl/tr	01185-04	2
C-spanner	01796-01	1
Rebound adj. Tool	01822-03	1
Foam filter	06057-07	2
Owners manual	07440-02	1
Flange nut	00139-04	1
Spacer (Ralliart top mount)	05952-09	1
Spacer (rubber top mount)	05952-08	1
Spacer (rubber top mount)	06757-01	1
Spacer (rubber top mount)	06757-02	1
<b>Camber bushings:</b>		
no. 0 offset 3.0	05794-00	2
no. 1 offset 2.44	05794-01	2
no. 2 offset 1.88	05794-02	2
no. 3 offset 1.32	05794-03	2
no. 5 offset 0.20	05794-05	2

**👁 Note!**

Before you install this product, check the kit contents. If anything is missing, please contact an Öhlins dealer.

**⚠ Warning!**

Before you install this product, read the Öhlins Owner's manual. This product is an important part of the vehicle and the vehicle stability.

## Shock absorber for Mitsubishi Lancer Evo X Tarmac

# MIR 5P54

## Mounting Instructions

# MOUNTING INSTRUCTIONS

## **⚠ Warning!**

*We strongly recommend to let an Öhlins dealer install this product.*

## **⚠ Warning!**

*If you work with a lifted vehicle, make sure that it is safely supported to prevent it from tipping over.*

## **👁 Note!**

*When you work with this product, see the vehicle service manual for vehicle specific procedures and important data.*

## **👁 Note!**

*Before you install this product clean the vehicle.*

**1**

Raise the vehicle so that the front wheels are off the ground.

**2**

Remove the front wheels.

**3**

Loosen the lower attachment bolts.

## **👋 Caution!**

*Support the wheel hubs on each side of the vehicle not to damage the brake hose and/or drive shaft joint.*

## **👋 Caution!**

*Do not use an impact wrench when you remove the shock absorber from the top mount. An impact wrench may cause the piston nut to come loose from the piston shaft.*

**4**

Loosen the upper attachment from the top mount. Remove the original McPherson shock absorbers.

**5**

Install the Öhlins McPherson shock absorbers in the original top mount.  
Tighten the top nut (00139-04) to 60 Nm.  
See figure.

**6**

Lift the wheel hub with a hydraulic jack. Use the approved camber bushings according to the table, and the sleeve (00123-15) to reduce free play before you tighten the bolts to the wheel upright.

## **👁 Note!**

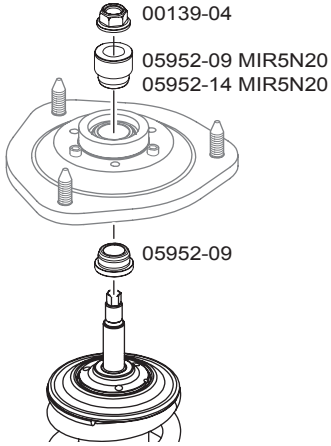
*Lower the vehicle so that the suspension is slightly compressed before you tighten the screws.*

## **👋 Caution!**

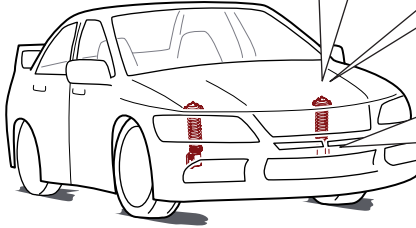
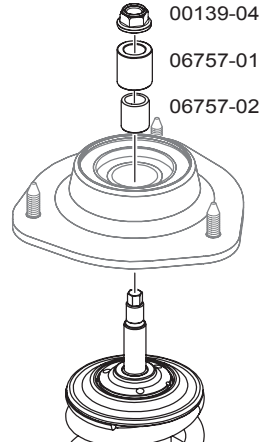
*Make sure that you tighten all screws to the correct torque and that nothing fouls or restricts movement of the shock absorber/front fork/steering damper when the suspension is fully compressed or extended.*

# MOUNTING INSTRUCTIONS

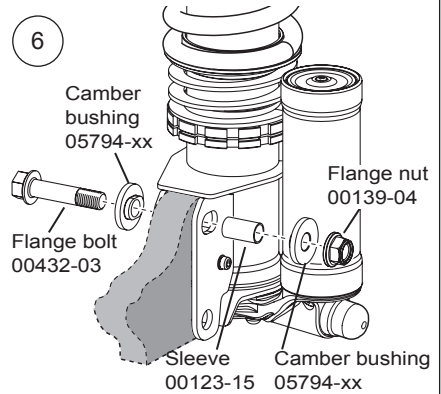
## 5 RalliArt Top Mount



## 5 Original Rubber Top Mount

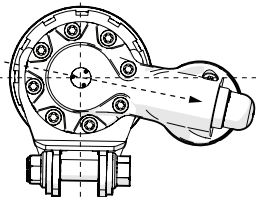


## 6

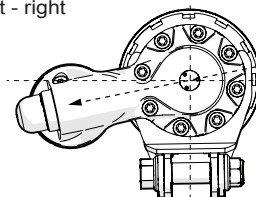


## Reservoir clocking

Front - left



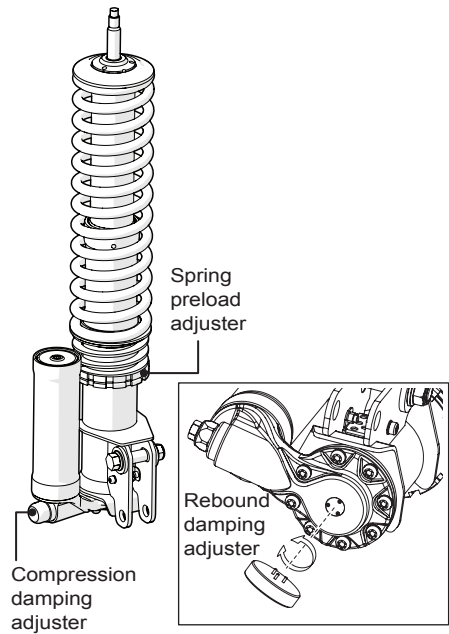
Front - right



# ADJUSTMENTS

## ⚠ Warning!

Before you ride/drive, always make sure that the setup is according to the recommended setup data. Read about adjustments and setting up in the Öhlins Owner's Manual before you make any adjustments. Contact an Öhlins dealer if you have any questions about setting up.



# SETUP DATA

Length	544	mm
Stroke	182	mm
Spring part no.	06774-21	
Spring rate	75	N/mm
Spring preload	12	mm
Comp high speed	20	
Comp low speed	12	
Rebound	30	

Optional springs	
Part No	Spring rate N/mm
06774-19	70
06774-23	80
06774-25	85

Öhlins products are subject to continuous improvement and development, therefore, although these instructions include the most up-to-date information available at the time of printing, minor updates may occur.

To find the latest information contact an Öhlins distributor. Please contact Öhlins if you have any questions regarding the contents in this document.

Part no. MI\_MIR5P54\_0  
Issued 2014-06-12

© Öhlins Racing AB. All rights reserved. Any reprinting or unauthorized use without the written permission of Öhlins Racing AB is prohibited.

Öhlins Racing AB  
Box 722  
S-194 27 Upplands Väsby, Sweden  
Phone +46 8 590 025 00  
fax +46 8 590 025 80



[www.ohlins.com](http://www.ohlins.com)