

Kit Contents

Description	Part No	Pcs
Sticker ÖHLINS wh/tr	01185-01	2
Sticker ÖHLINS bl/tr	01185-04	2
C-spanner	01796-01	1
Rebound adj. Tool	01822-03	1
Foam filter	06057-07	2
Owners manual	07440-02	1
Spacer (rubber top mount)	06757-01	1
Camber bushings:		
no. 0 offset 3.0	05794-00	2
no. 1 offset 2.44	05794-01	2
no. 2 offset 1.88	05794-02	2
no. 3 offset 1.32	05794-03	2
no. 5 offset 0.20	05794-05	2

👁 Note!

Please note that there can be small differences between your product and the images in these instructions.

👁 Note!

Please note that during storage and transport, especially at high ambient temperature, some of the oil and grease used for assembly may leak and stain the packaging. This will not cause damage to the product, wipe off the excessive oil or grease with a cloth.

👁 Note!

Before you install this product, check the kit contents. If anything is missing, please contact an Öhlins dealer.

⚠ Warning!

Before you install this product, read the Öhlins Owner's manual. This product is an important part of the vehicle and the vehicle stability.

Shock absorber for Mitsubishi Lancer Evo 7-9 Tarmac

MIR 5P04

Mounting Instructions



MOUNTING INSTRUCTIONS

⚠ Warning!

We strongly recommend to let an Öhlins dealer install this product.

⚠ Warning!

If you work with a lifted vehicle, make sure that it is safely supported to prevent it from tipping over.

👁 Note!

When you work with this product, see the vehicle service manual for vehicle specific procedures and important data.

👁 Note!

Before you install this product clean the vehicle.

1

Raise the car so that the front wheels are off the ground.

2

Remove the front wheels.

3

Loosen the bolts for the lower attachments of the original shock absorber.

👉 Caution!

Support the wheel hubs on each side of the vehicle so that the brake hose and/or drive shaft joint can not be damaged.

4

Loosen the upper attachment from the top mount, and remove the original McPherson shock absorber.

5

Note the correct reservoir bracket position. If incorrect, unscrew the 8 screws and turn the bracket to the correct position. Reinstall the 8 screws and tighten to specified torque according to figure 5.

👁 Note!

Note that two screws are longer, make sure to reinstall them in the correct position.

6

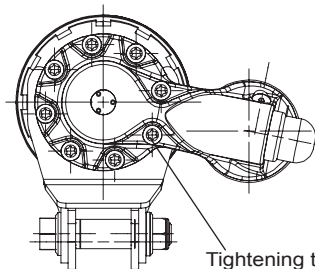
Install the Öhlins McPherson shock absorber on the top mount, and tighten the nut 00139-04 with torque 60 Nm. For top mount arrangements - see figure 6.

👉 Caution!

Make sure the reservoir is protected from damages (e.g. stone chip).

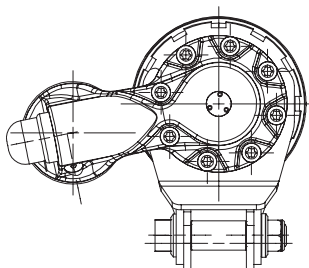
5

Reservoir bracket position
Left front

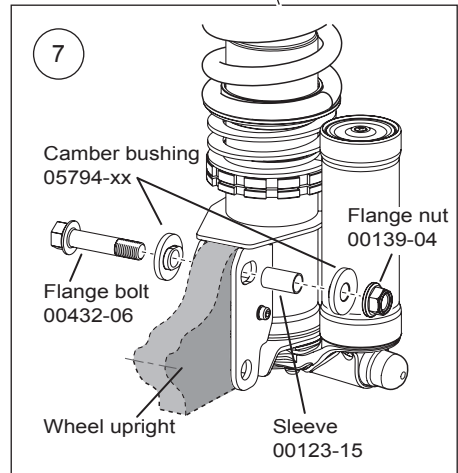
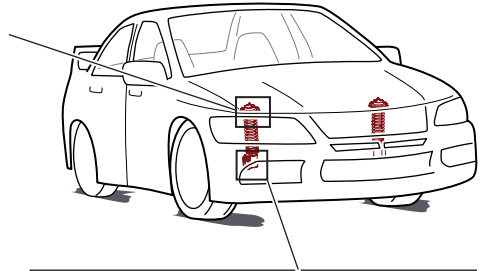
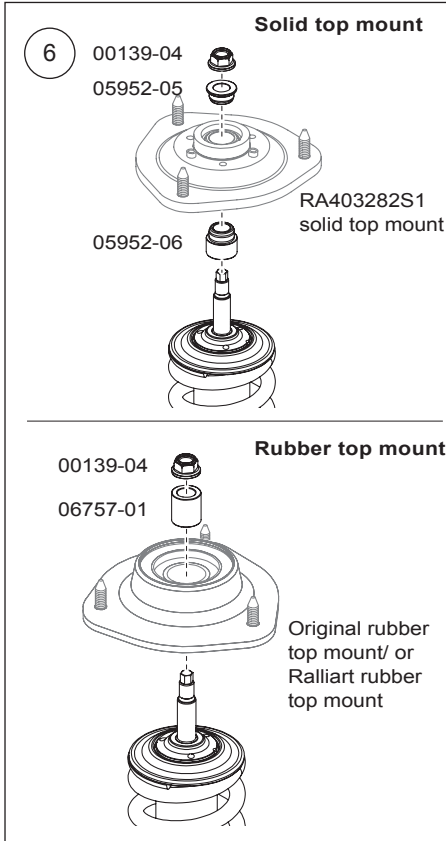


Tightening torque 10 Nm (8x).
Apply copper paste on the threads.

Reservoir bracket position
Right front



MOUNTING INSTRUCTIONS



7

Lift up the wheel hub with a hydraulic jack to remove any freeplay of the bolts before tightening the bolts around the wheel upright.

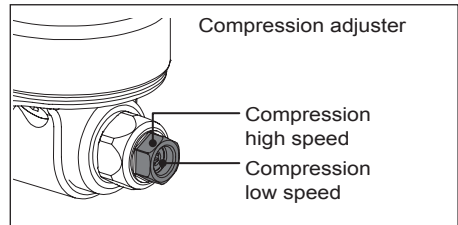
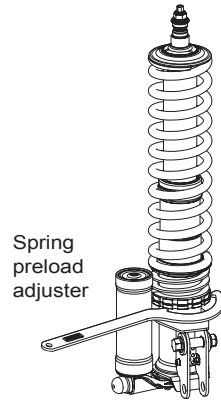
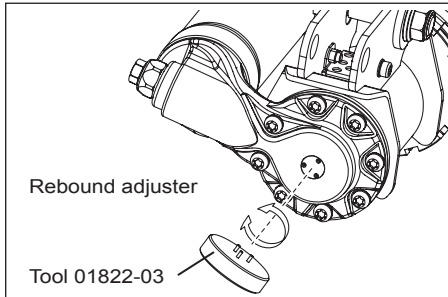
Note!

Make sure that all bolts are tightened to the correct torque and that nothing fouls or restricts movement of the shock absorber when it is being fully compressed or extended.

ADJUSTMENTS

⚠ Warning!

Before you ride/drive, always make sure that the setup is according to the recommended setup data. Read about adjustments and setting up in the Öhlins Owner's Manual before you make any adjustments. Contact an Öhlins dealer if you have any questions about setting up.



SETUP DATA

Length	496	mm
Stroke	156	mm
Spring part no.	06774-21	
Spring rate	75	N/mm
Comp high speed	24	
Comp low speed	18	
Rebound	32	

Optional springs	
Part No	Spring rate N/mm
06774-19	70
06774-23	80
06774-25	85

Öhlins products are subject to continuous improvement and development, therefore, although these instructions include the most up-to-date information available at the time of printing, minor updates may occur.

To find the latest information contact an Öhlins distributor. Please contact Öhlins if you have any questions regarding the contents in this document.

Part no. MI_MIR5P04_0
Issued 2014-08-04

© Öhlins Racing AB. All rights reserved. Any reprinting or unauthorized use without the written permission of Öhlins Racing AB is prohibited.

Öhlins Racing AB
Box 722
S-194 27 Upplands Väsby, Sweden
Phone +46 8 590 025 00
fax +46 8 590 025 80



www.ohlins.com