



Kit Contents			
Pos	Description	Part No	Pcs
1	Shock absorber		2
2	Lock nut M14	24618-03	2
3	Dust Boot	10216-01	2
4	Plastic spring spacer	25602-01	2
5	Spring	47010-35	2
6	Top mount assy	25633-35	2
	Top mount		2
	Bearing spacer		4
7	Lock nut M10	24627-01	2
8	Adjustment knob	24631-04	2
9	Bolt M6	24628-02	2
10	Nut M6	24628-03	2
11	C-spanner	24639-01	1
12	C-spanner	24639-03	1
13	Öhlins sticker kit	10207-01	1
14	Öhlins emblem kit	10207-02	1
15	Öhlins Owner's Manual	07451-01	1

👁 Note!

Please note that there can be small differences between your product and the images in these instructions.

👁 Note!

Please note that during storage and transport, especially at high ambient temperature, some of the oil and grease used for assembly may leak and stain the packaging. This will not cause damage to the product, wipe off the excessive oil or grease with a cloth.

👁 Note!

Before you install this product, check the kit contents. If anything is missing, please contact an Öhlins dealer.

⚠ Warning!

Before you install this product, read the Öhlins Owner's manual. This product is an important part of the vehicle and the vehicle stability.

Shock Absorber Kit for Honda S2000 (AP1, AP2)

HOS MI21S2 FRONT

Mounting Instructions



MOUNTING INSTRUCTIONS

⚠ Warning!

We strongly recommend to let an Öhlins dealer install this product.

⚠ Warning!

If you work with a lifted vehicle, make sure that it is safely supported to prevent it from tipping over.

👁 Note!

When you work with this product, see the vehicle service manual for vehicle specific procedures and important data.

👁 Note!

Before you install this product clean the vehicle.

1

Raise the vehicle and put it on jack stands.

⚠ Warning!

Ensure that it is securely supported.

2

Remove the front wheels.

3

Remove the lower and the upper attachments and remove the original shock absorbers.

4

Tighten the lower spring seat and the lock nut to 50 - 60 Nm.

Fit the the dust boot, the spring, the top mount and the adjuster according to fig 1. Tighten the nylon nut to 20 Nm.

👁 Note!

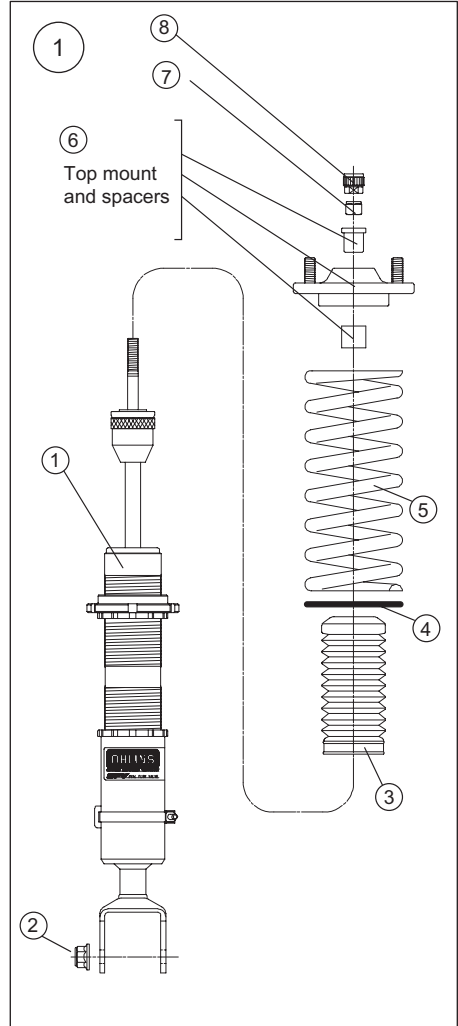
When tightening the top mount nut, the shock absorber shaft must be held in position with a 5 mm Allen key.

5

Install the Öhlins shock absorbers on the vehicle.

6

Fasten the upper attachments.



MOUNTING INSTRUCTIONS

👁 **Note!**

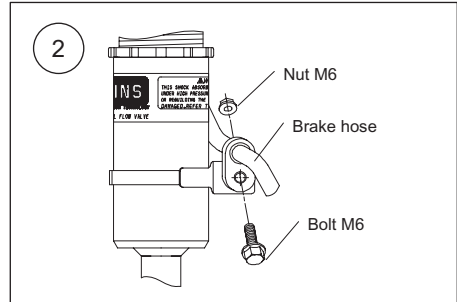
Make sure that all bolts are tightened to the correct torque and that nothing fouls or restricts movement of the shock absorber when it is being fully compressed or extended.

7

Mount the brake hose to the brake hose bracket on the Ohlins damper. Use the supplied M6 bolt and nut. Tighten the nut to 6 Nm according to fig 2.

8

Make sure that all removed parts are reinstalled in the same way as they were before the installation of the Öhlins shock absorber.



ADJUSTMENTS

⚠ Warning!

Before you ride/drive, always make sure that the setup is according to the recommended setup data. Read about adjustments and setting up in the Öhlins Owner's Manual before you make any adjustments. Contact an Öhlins dealer if you have any questions about setting up.

The standard preload is 1 mm from a free length of 200 mm, giving 199 mm installed length, see fig 3

SETUP DATA

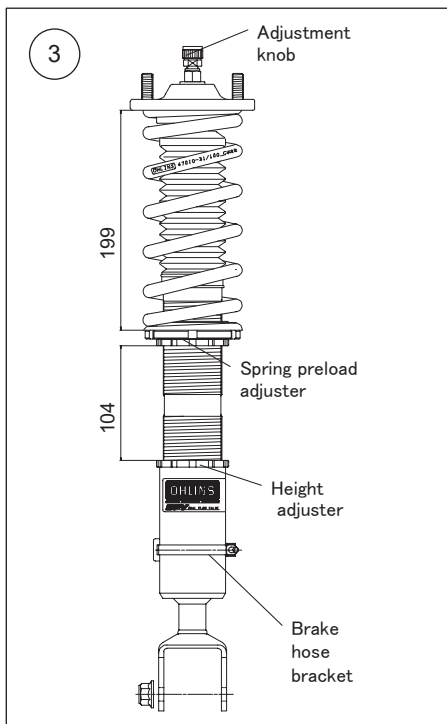
Rebound setting		
Track	5-10	clicks
Winding road	10-15	clicks
Street	15-20	clicks
Spring preload	1	mm

Recommended spring

47010-35 (110N/mm)

The actual vehicle height

With both the preload and height adjustments in their standard positions, the vehicle is lowered approximately 25 mm when compared to the original suspension. As the height adjuster is turned one rotation, the position moves 1.5 mm.



⚠ Warning!

The adjustment range is the standard position ± 15 mm. If the bracket is moved outside the adjustment range, it may come loose.

Öhlins products are subject to continuous improvement and development, therefore, although these instructions include the most up-to-date information available at the time of printing, minor updates may occur.

To find the latest information contact an Öhlins distributor. Please contact Öhlins if you have any questions regarding the contents in this document.

Part no. MI_HOSM21S2_0
Issued 2022-10-28

© Öhlins Racing AB. All rights reserved. Any reprinting or unauthorized use without the written permission of Öhlins Racing AB is prohibited.

Öhlins Racing AB
Box 722
S-194 27 Upplands Väsby, Sweden
Phone +46 8 590 025 00
fax +46 8 590 025 80



www.ohlins.com



Kit Contents

Pos	Description	Part No	Pcs
1	Lock nut M14	24618-03	2
2	Shock absorber	47010-19	2
3	Dust boot	10216-01	2
4	Plastic spring spacer	25602-01	2
5	Spring	47010-19	2
6	Top mount assy	25633-36	2
	Top mount		2
	Bearing spacer		4
7	Lock nut M10	24627-01	2
8	Adjustment knob	24631-04	2

👁 Note!

Please note that there can be small differences between your product and the images in these instructions.

👁 Note!

Please note that during storage and transport, especially at high ambient temperature, some of the oil and grease used for assembly may leak and stain the packaging. This will not cause damage to the product, wipe off the excessive oil or grease with a cloth.

👁 Note!

Before you install this product, check the kit contents. If anything is missing, please contact an Öhlins dealer.

⚠ Warning!

Before you install this product, read the Öhlins Owner's manual. This product is an important part of the vehicle and the vehicle stability.

Shock Absorber Kit for Honda S2000 (AP1 , AP2)

HOS MI21S2 REAR

Mounting Instructions



MOUNTING INSTRUCTIONS

⚠ Warning!

We strongly recommend to let an Öhlins dealer install this product.

⚠ Warning!

If you work with a lifted vehicle, make sure that it is safely supported to prevent it from tipping over.

👁 Note!

When you work with this product, see the vehicle service manual for vehicle specific procedures and important data.

👁 Note!

Before you install this product clean the vehicle.

1

Raise the vehicle and put it on jack stands.

⚠ Warning!

Ensure that it is securely supported.

2

Remove the rear wheels.

3

Remove the lower and the upper attachments and remove the original shock absorbers.

4

Cut the dust boot 52 mm from the lower end with a pair of scissors according to fig 2.

5

Tighten the lower spring seat and the lock nut to 50 - 60 Nm.

Fit the bushing spacers, the dust boot, the spring, the top mount and the adjuster according to fig 1. Tighten the nylon nut to 20 Nm.

👁 Note!

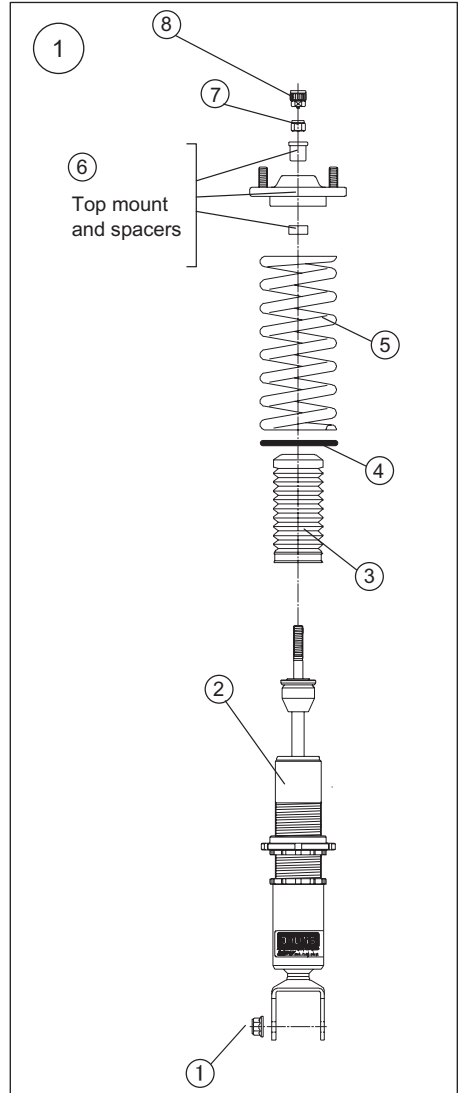
When tightening the top mount nut, the shock absorber shaft must be held in position with a 5 mm Allen key.

6

Install the Öhlins shock absorbers on the vehicle.

7

Fasten the upper attachments.



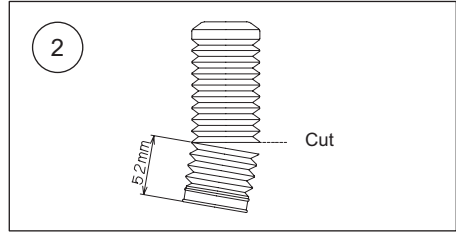
MOUNTING INSTRUCTIONS

Note!

Make sure that all bolts are tightened to the correct torque and that nothing fouls or restricts movement of the shock absorber when it is being fully compressed or extended.

8

Make sure that all removed parts are reinstalled in the same way as they were before the installation of the Öhlins shock absorber.



ADJUSTMENTS

⚠ Warning!

Before you ride/drive, always make sure that the setup is according to the recommended setup data. Read about adjustments and setting up in the Öhlins Owner's Manual before you make any adjustments. Contact an Öhlins dealer if you have any questions about setting up.

The standard preload is 10 mm from a free length of 200 mm, giving 190 mm installed length, see fig 3.

SETUP DATA

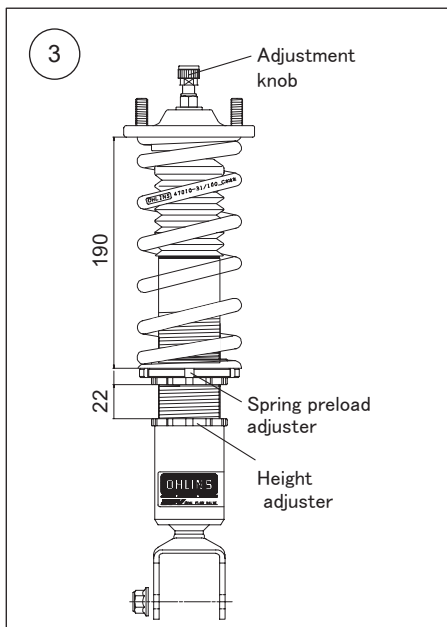
Rebound setting		
Track	5-10	clicks
Winding road	10-15	clicks
Street	15-20	clicks
Spring preload	10	mm

Recommended spring

47010-19 (70N/mm)

The actual vehicle height

With both the preload and height adjustments in their standard positions, the vehicle is lowered approximately 25 mm when compared to the original suspension. As the height adjuster is turned one rotation, the position moves 1.5 mm.



⚠ Warning!

The adjustment range is the standard position ± 15 mm. If the bracket is moved outside the adjustment range, it may come loose.

Öhlins products are subject to continuous improvement and development, therefore, although these instructions include the most up-to-date information available at the time of printing, minor updates may occur.

To find the latest information contact an Öhlins distributor. Please contact Öhlins if you have any questions regarding the contents in this document.

Part no. MI_HOSM21S2_0
Issued 2022-10-28

© Öhlins Racing AB. All rights reserved. Any reprinting or unauthorized use without the written permission of Öhlins Racing AB is prohibited.

Öhlins Racing AB
Box 722
S-19 27 Upplands Väsby, Sweden
Phone +46 8 590 025 00
fax +46 8 590 025 80



www.ohlins.com